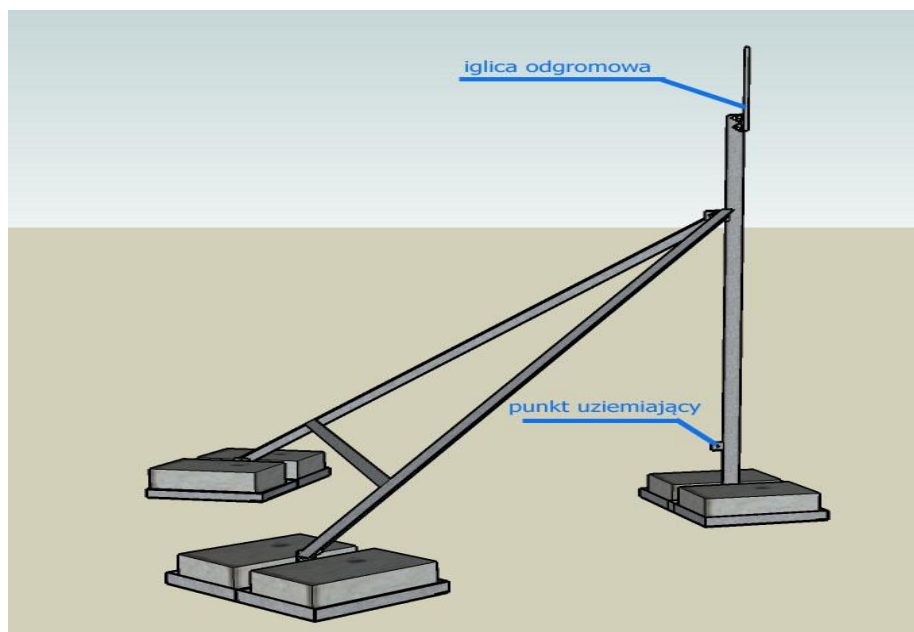


## Ballast Supports



### Ballast type mast MB-2

**BASIC INFORMATION:**

Mast height: 2 m

Diameter pipe - 51mm

Ballast - 6x concrete block 38x24x12cm [Weight 25kg/pcs]

Weight of structure: 52kg

Gross weight: 202kg

Anti-corrosion protection - galvanized

Base size: 2,67 m ^ 2 - dimensions, if we make the necessary fees for the roof surface.

**Kit includes:**

Construction of mast, a set of screws

**Additional features:**

The main point of grounding

Lightning spire (optional)

Calculated for the suspension Andrew VHLP2 [60cm] antenna.

**Price – 900 PLN\***

**Lightning Spire - 30 PLN \***

\*netto (VAT tax 22%)